



Tribeca

Design by Jordi Llopis

ALMA light
Barcelona



Tribeca

Design by Jordi Llopis

Materiales: estructura hierro pintado negro texturizado, pantalla alabastro

Materials: structure black textured epoxy painted iron, shade alabaster

Cada pantalla es única e inigualable. Al tratarse de un material 100% natural extraído de una cantera, la variedad de vetas blancas, marrones y grises es aleatoria. **Each shade is unique and unmatched. Since it is a 100% natural material extracted from a quarry, the variety of white, brown and gray veins is random.**

Led integrado **Integrated Led**

LED Seoul 4,5W 2700K 270lm CRI>80



Datos fotométricos disponibles www.almalight.com

Photometric data available on www.almalight.com

No regulable **Not dimmable**

Driver incluido CC - Corriente Constante 350mA 110-240V

Driver included CC - Constant Current 350mA 110-240V

Ref.9800/018

Regulable **Dimmable**

Driver incluido CC - Corriente Constante 350mA 220V

Driver included CC - Constant Current 350mA 220V

Ref.9800/018RG



Tribeca es una colección de luminarias de pantallas esférica de alabastro natural pulido. El nombre de esta colección está inspirado en el barrio de moda de Manhattan de idéntico nombre, donde antiguos espacios industriales se han convertido en viviendas, con calles repletas de tiendas con encanto, galerías de arte y locales deatmósfera europea, retro, elegante y minimalista, lo que define perfectamente esta colección. Tribeca posee un aire artesanal, inspiración Art Déco y una sabia combinación de materiales nobles como el hierro y el alabastro. Las estructuras son simples y contrastan con la solidez de la piedra en un perfecto equilibrio entre ligereza y peso. El alabastro transmite calidez y confiere a cada pantalla de una identidad única e irrepitable, con vetas blancas y grisáceas, a veces con algún matiz de color terroso y una suave traslucidez.

En el caso del foco empotrado de la colección Tribeca, la estructura es de hierro negro texturado y la pantallas es una esfera de alabastro de 12cms de diámetro en cuyo interior se aloja un LED integrado Seoul 4,5W 270lm 2700K CRI>80. Existe en dos versiones: on/off (con un Driver no regulable 90-264V 350mA, incluido) y regulable en intensidad (RG), que incluye un driver 220V 350mA. El driver se instala siempre en un hueco en el falso techo. Atención: Cada pantalla es única e inigualable. Al tratarse de un material 100% natural extraído de una cantera, la variedad de vetas blancas, marrones y grises es aleatoria.

Tribeca is a collection of light fixtures with spherical shades made of polished natural alabaster. The name of this collection is inspired by the fashionable Manhattan neighborhood of the same name, where old industrial spaces have been converted into homes, with streets full of charming shops, art galleries and establishments with a European, retro, elegant and minimalist atmosphere... it all perfectly defines this collection. Tribeca has an artisanal feel, Art Deco inspiration and a wise combination of noble materials such as iron and alabaster. The structures are simple and contrast with the solidity of the stone in a perfect balance between lightness and weight. Alabaster transmits warmth and gives each lampshade a unique and unrepeatably identity, with white and grayish veins, sometimes with a hint of earthy color and a soft translucency.

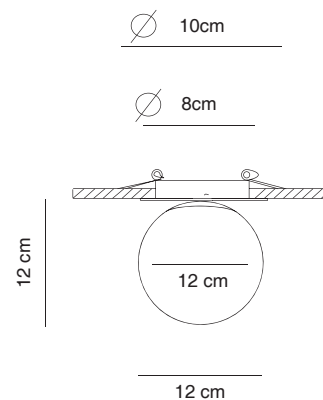
In the case of the embedded downlight of the Tribeca collection, the structure is made of textured black iron and the shade is an alabaster sphere 12cm in diameter, inside which is housed an integrated Seoul 4.5W 270lm 2700K CRI>80 LED. It exists in two versions: on/off (with a non-dimmable 90-264V 350mA Driver, included) and dimmable (RG), which includes a 220V 350mA driver. The driver must always be installed in a hole in the false ceiling. Attention: Each shade is unique and unmatched; since it is a 100% natural material extracted from a quarry, the variety of white, brown and gray veins is random.

Tribeca Colección / **Collection**

Embalaje / **Packaging 20x20x15xm 2,00Kg**

Mantenimiento : Limpiar con un paño suave. No utilizar productos amoniacales, disolventes o abrasivos.

Maintenance : Clean with a soft piece of cloth. Do not use solvent, amoniac based or abrasive products.



ALMAlight
Barcelona