



Tribeca

Design by Jordi LLopis

ALMAlight
Barcelona



Tribeca es una colección de luminarias de pantallas de alabastro natural pulido. El nombre de esta colección está inspirado en el barrio de moda de Manhattan de idéntico nombre, donde antiguos espacios industriales son ahora viviendas, con calles repletas de tiendas con encanto, galerías de arte y locales de atmósfera europea, retro, elegante y minimalista, lo que define perfectamente esta colección. Tribeca posee un aire artesanal, inspiración Art Déco, una sabia combinación de materiales nobles como el hierro y el alabastro y estructuras simples que contrastan con la solidez de la piedra, en un perfecto equilibrio entre ligereza y peso. El alabastro transmite calidez y confiere a cada pantalla una identidad única e irreplicable, con vetas blancas y grisáceas, a veces con algún matiz de color terroso y una suave traslucidez.

La estructura del aplique de la colección Tribeca es de hierro negro texturizado y la pantalla es una esfera de alabastro de 12cms de diámetro, en cuyo interior se aloja un LED integrado Seoul 4,5W 270lm 2700K CRI>80. Este aplique no lleva interruptor y existe en dos versiones según se requiera que el aplique sea regulable en intensidad o no: regulable (RG) mediante TRIAC, con driver de 220V 350mA, o bien no regulable con driver 90-264V 350mA. En ambos casos el driver está incluido y va alojado en el interior de la estructura. Atención: Cada pantalla es única e inigualable; al tratarse de un material 100% natural extraído de una cantera, la variedad de vetas blancas, marrones y grises es aleatoria.

Tribeca is a collection of light fixtures with polished natural alabaster shades. The name of this collection is inspired by the fashionable Manhattan neighborhood of the same name, where old industrial spaces are now homes, with streets full of charming shops, art galleries and establishments with a European, retro, elegant and minimalist atmosphere... it all perfectly defines this collection. Tribeca has an artisanal feel, Art Deco inspiration and a wise combination of noble materials such as iron and alabaster, with simple structures that contrast with the solidity of the stone in a perfect balance between lightness and weight. Alabaster transmits warmth and gives each shade a unique and unrepeatable identity, with white and grayish veins, sometimes with a hint of earthy color and a soft translucency. The structure of the wall lamp of the Tribeca collection is made of textured black iron and the shade is an alabaster sphere 12cm in diameter, inside which is housed an integrated LED Seoul 4.5W 270lm 2700K CRI>80. This wall lamp does not have a switch, and exists in two versions depending on whether the LED of the alabaster shade is required to be dimmable or not: dimmable (RG) through TRIAC, with a 220V 350mA driver, or not dimmable, with a 90-264V 350mA driver. In both cases the driver is included and is housed inside the structure. Attention: Each shade is unique and unmatched; since it is a 100% natural material extracted from a quarry, the variety of white, brown and gray veins is random.

Tribeca

Design by Jordi Llopis

Materiales: estructura hierro pintado negro texturizado, pantalla alabastro

Materials: structure black textured epoxy painted iron, shade alabaster

Cada pantalla es única e inigualable. Al tratarse de un material 100% natural extraído de una cantera, la variedad de vetas blancas, marrones y grises es aleatoria. **Each shade is unique and unmatched. Since it is a 100% natural material extracted from a quarry, the variety of white, brown and gray veins is random.**

Led integrado **Integrated Led**

LED Seoul 4,5W 2700K 270lm CRI>80



Datos fotométricos disponibles www.almalight.com

Photometric data available on www.almalight.com

No regulable **Not dimmable**

Driver incluido CC - Corriente Constante 350mA 110-240V

Driver included CC - Constant Current 350mA 110-240V

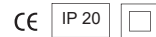
Ref.4800/018

Regulable **Dimmable**

Driver incluido CC - Corriente Constante 350mA 220V

Driver included CC - Constant Current 350mA 220V

Ref.4800/018RG



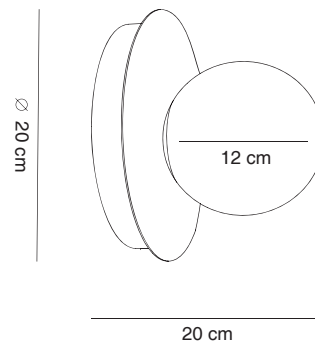
Tribeca Colección / **Collection**



Embalaje / **Packaging 20x20x15xm 2,00Kg**

Mantenimiento : Limpiar con un paño suave. No utilizar productos amoniacales, disolventes o abrasivos.

Maintenance : Clean with a soft piece of cloth. Do not use solvent, amoniac based or abrasive products.



ALMAlight
Barcelona